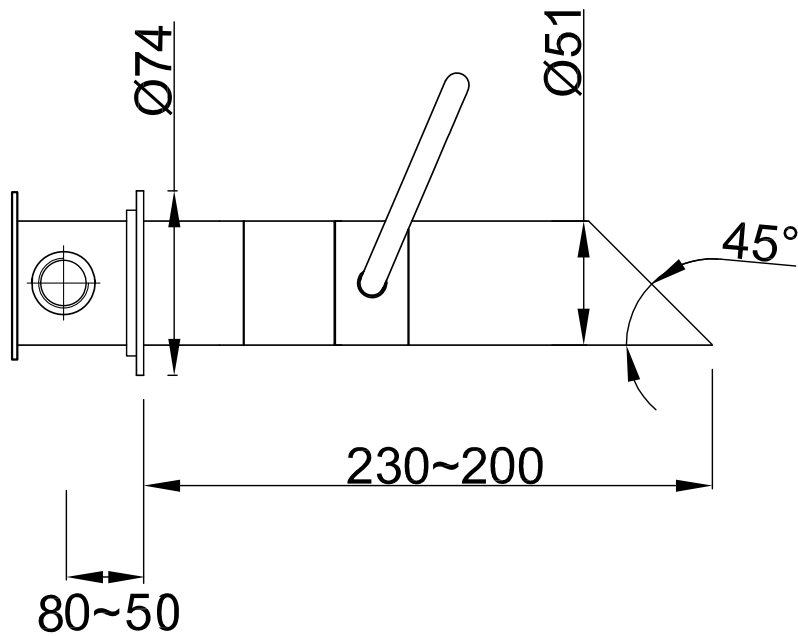
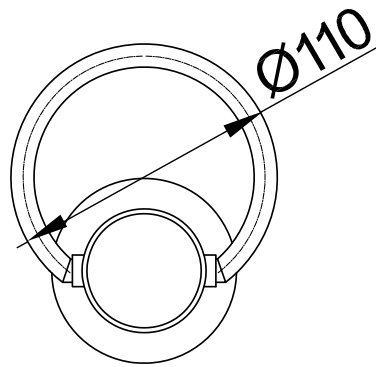


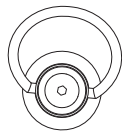


JEE-O pure wall basin mixer specifications

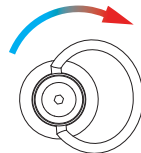
by Lammerit Moerman



middle off



right water flow



Article code:

300-1500

● brushed stainless steel

300-1501

● polished stainless steel

Material:

Stainless Steel r304

Cartridge:

Kerox ceramic mixing mechanism (progressive),
item code **005-0201**

Cleaning:

JEE-O protect

Flow at water of 38°C / 100,4°F:

9L p/m at 3bar pressure

Connection:

Thread:

2 x G 1/2" (ø15mm / 0.6")
British Standard Pipe (BSP)

Dimension package:

Total weight:

Package weight:

L 38 x W 27 x H 16 cm
2.6 kg
0.4 kg

2 year warranty

HS code:

Approvals:

84818011900

SLS BS EN 817