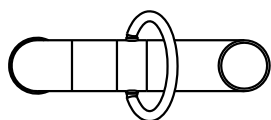
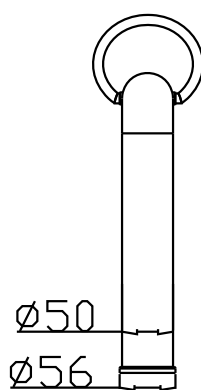
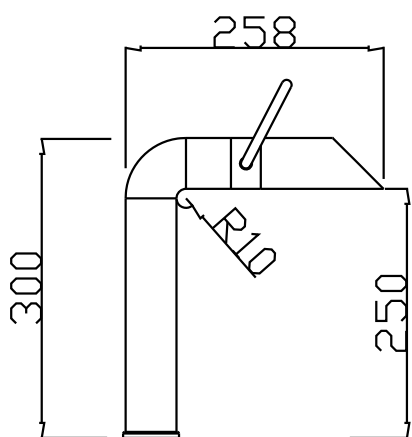




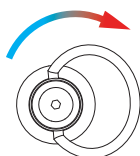
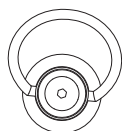
JEE-O pure basin mixer high specifications

by Lammert Moerman



middle off

right water flow



Article code:

300-1750

● brushed stainless steel

300-1751

● polished stainless steel

Material:

Stainless Steel r304

Cartridge:

Kerox ceramic mixing mechanism (progressive),
item code **005-0201**

Cleaning:

JEE-O protect

Flow at water of 38°C / 100,4°F:

9L p/m at 3bar pressure

Connection:

Thread:

2 x G 1/2" (Ø15mm / 0.6")
British Standard Pipe (BSP)

Dimension package:

Total weight:

Package weight:

L 45 x W 27 x H 14 cm
3.1 kg
0.3 kg

2 year warranty

HS code:

84818011900

Approvals:

SLS BS EN 817