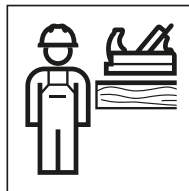
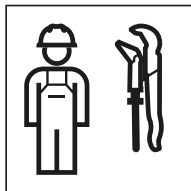
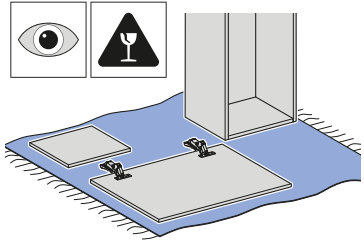
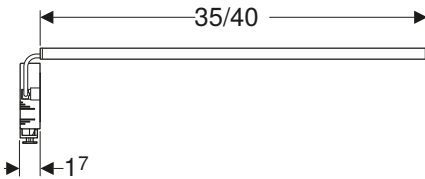
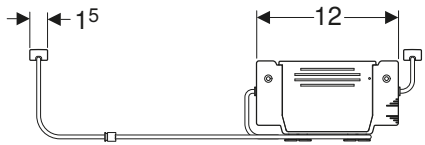


# INSTALLATION MANUAL

MONTAGEANLEITUNG  
INSTRUCTIONS DE MONTAGE  
ISTRUZIONI PER IL MONTAGGIO

**KNOW  
HOW  
INSTALLED**

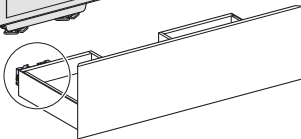
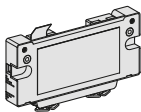
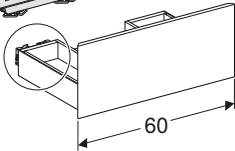
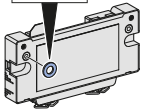
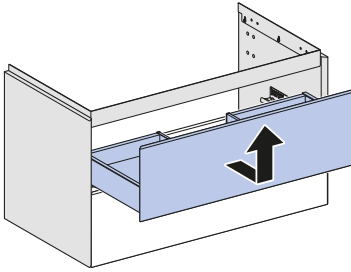




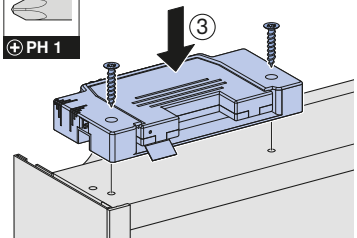
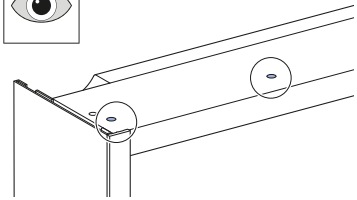
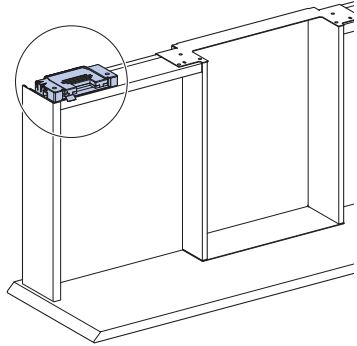


1

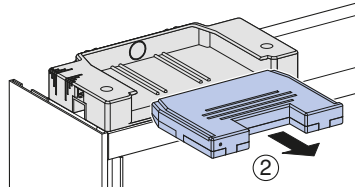
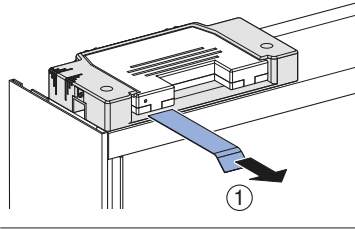
1



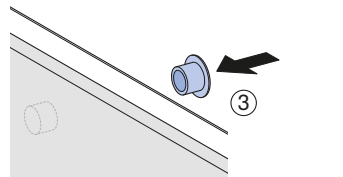
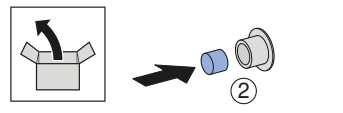
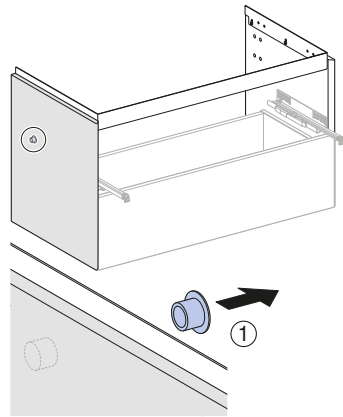
2



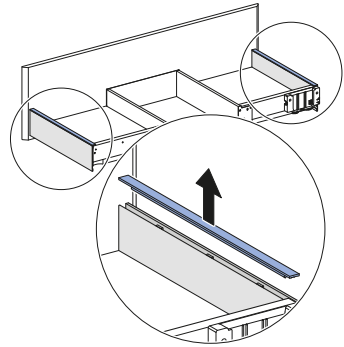
3



4

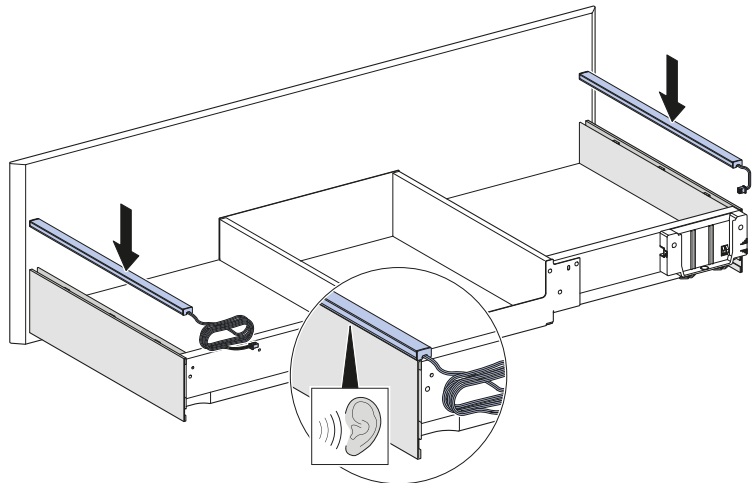


5

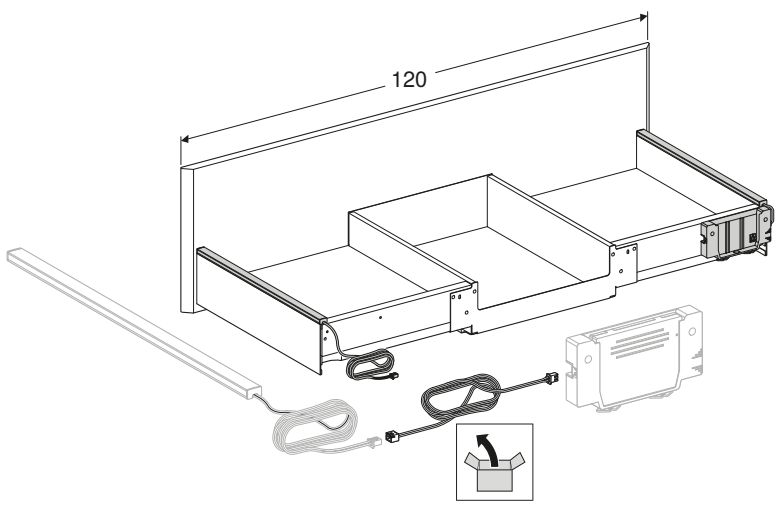


# 2

1

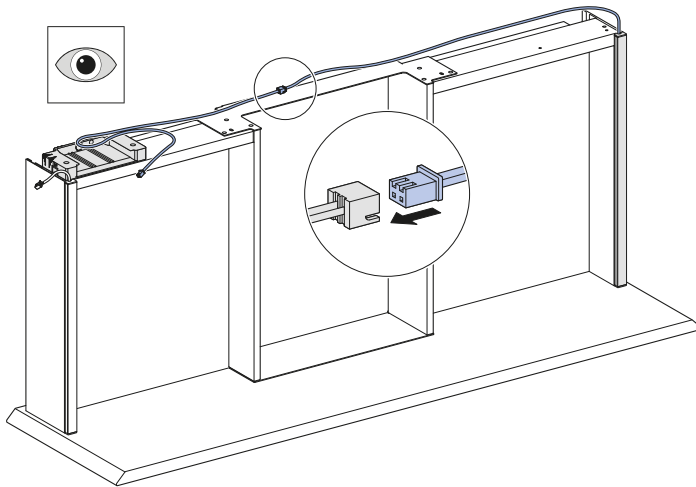


i



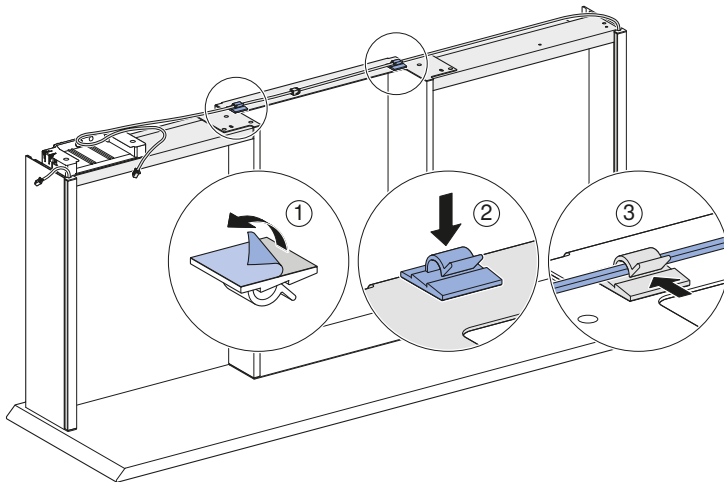
---

2



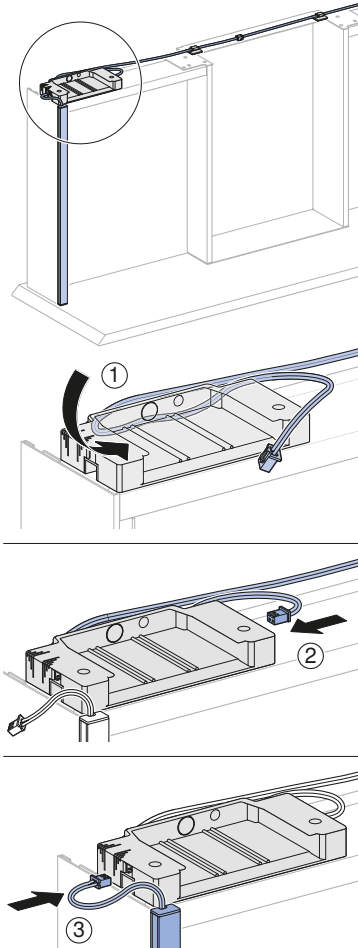
---

3

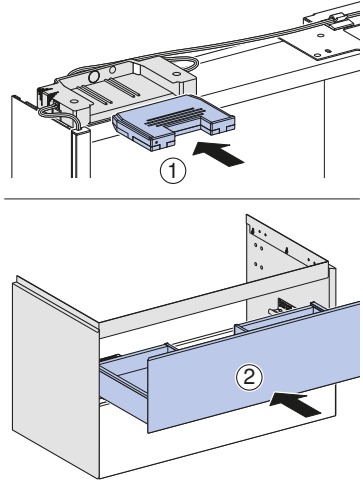


# 3

1

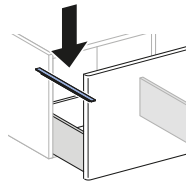
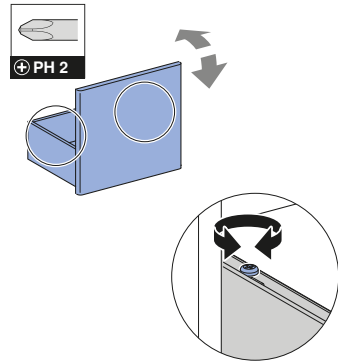
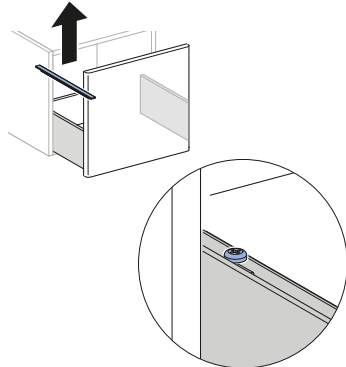
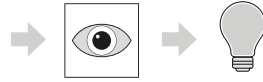
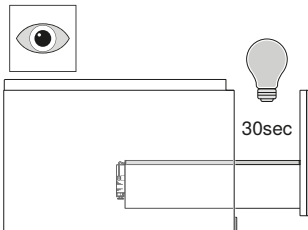
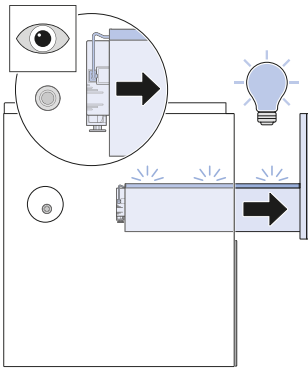
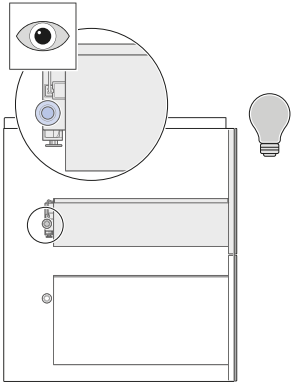


2





1



Geberit International AG  
Schachenstrasse 77, CH-8645 Jona  
documentation@geberit.com  
www.geberit.com

