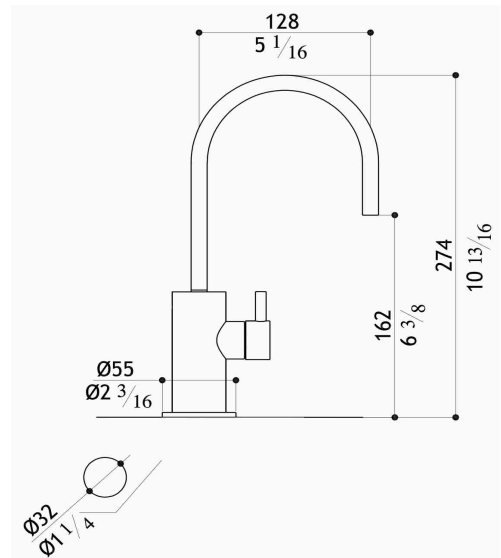


# MGS Spin FW - Spin C

Filtered water tap



## Specifications:

- **Marine Grade Stainless steel AISI316L**
- Lever installation: right; left and front possible
- 100% lead free – fully recyclable: The ideal choice in contact with your drinking water
- Compatible with Reverse Osmosis filtration systems
- Can be connected to a water chiller through the cold water line
- Areas of application: Indoor & outdoor
- PVD finishes over brushed stainless steel

## Available Finishes:



Stainless Steel



Black Steel



Titanium



Rose Gold



Gold

Engineered in Switzerland



Made in Italy