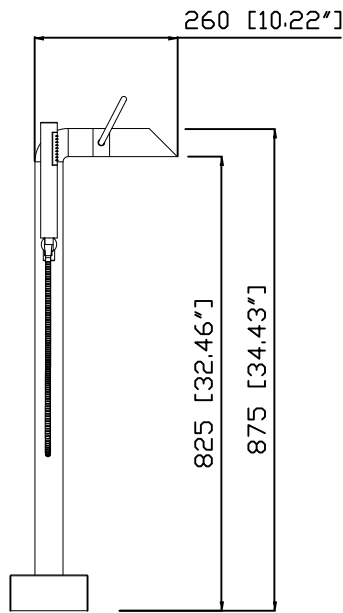
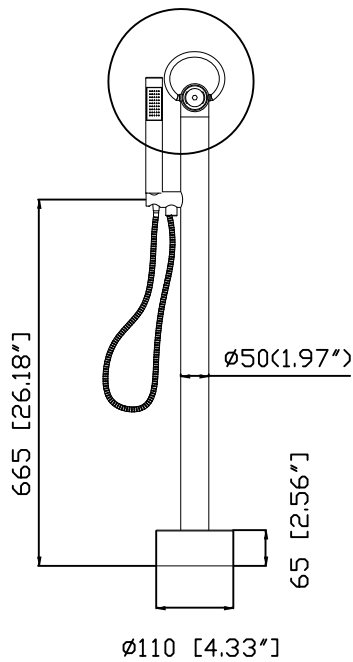


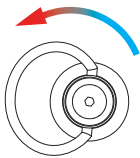


JEE-O pure bath mixer specifications

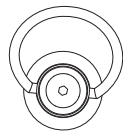
by Lammerit Moerman



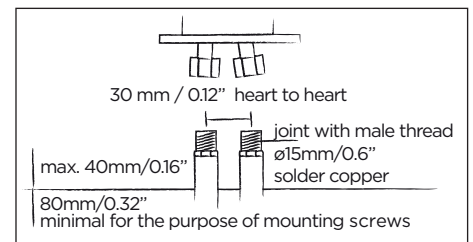
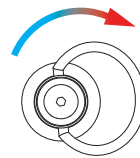
left flow handshower



middle off



right flow spout



Article code:

300-3310

● brushed stainless steel

300-3311

● polished stainless steel

Material:

Stainless Steel r304

Cartridge:

Kerox ceramic mixing mechanism (progressive) with diverter, item code **005-0202**

Cleaning:

JEE-O protect

Flow at water of 38°C / 100,4°F:

9L p/m at 3bar pressure

Flexhose:

150 cm length

Connection:

2 x G 1/2" (ø15mm / 0.6") nylon^(out)/epdm⁽ⁱⁿ⁾ flexhose with brass swivel

Thread:

British Standard Pipe (BSP)

Dimension package:

L 137 x W 47 x H 19 cm

Total weight:

8 kg

Package weight:

1.5 kg

Placing on a water-tight floor

2 year warranty

HS code:

84818011900

Approvals:

SLS BS EN 817



400-2300 PURE
400-2380 PURE