

HANSAELECTRA

INSTALLATION AND MAINTENANCE GUIDE



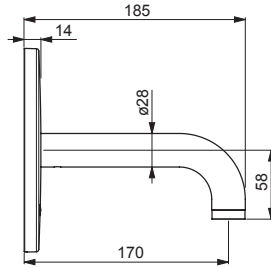
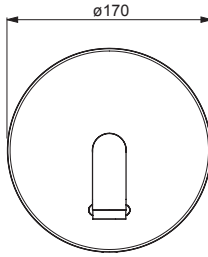
Contents

CZ Obsah	FI Sisällysluettelo	IT Indice	PT Conteúdo
DE Inhaltsübersicht	FR Sommaire	NL Inhoud	RU Содержание
DK Indholdsfortegnelse	GR Περιεχόμενα	NO Innhold	SE Innehållsförteckning
ES Contenidos	HU Tartalom	PL Spis treści	SK Obsah

Dimensions.....	4-6
Spare parts.....	7-10

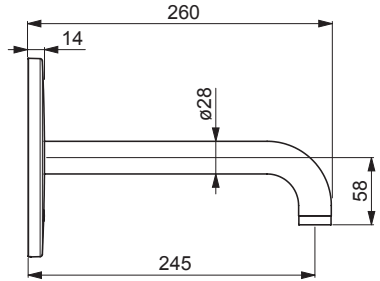
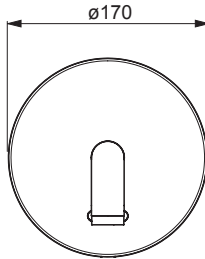
8180 2100, 8080 2100

EN 15091
 100 - 1000 kPa
 0.08 l/s (300 kPa) (with flow controller)
 max. +70°C
 IP 55
 AA 1.5V Lithium x2 (**8180 2100**)
 230V/ 12V (**8080 2100**)



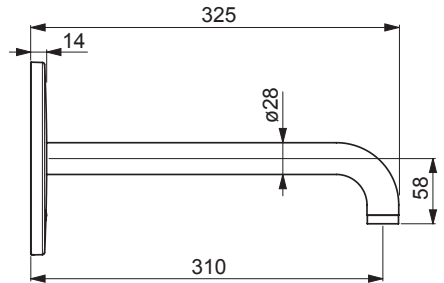
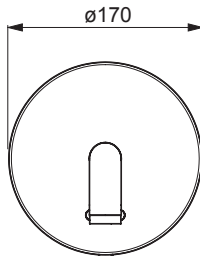
8180 2110, 8080 2110

EN 15091
 100 - 1000 kPa
 0.08 l/s (300 kPa) (with flow controller)
 max. +70°C
 IP 55
 AA 1.5V Lithium x2 (**8180 2110**)
 230V/ 12V (**8080 2110**)

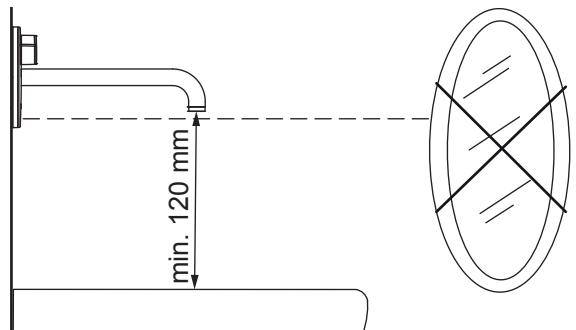


8180 2120, 8080 2120

EN 15091
 100 - 1000 kPa
 0.08 l/s (300 kPa) (with flow controller)
 max. +70°C
 IP 55
 AA 1.5V Lithium x2 (**8180 2120**)
 230V/ 12V (**8080 2120**)

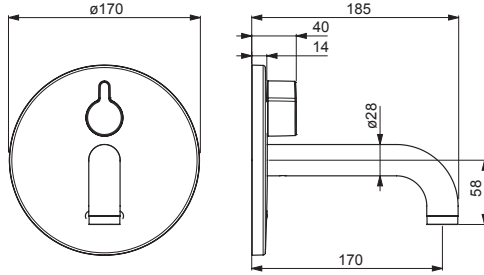


8180 2100
8080 2100
8180 2110
8080 2110
8180 2120
8080 2120



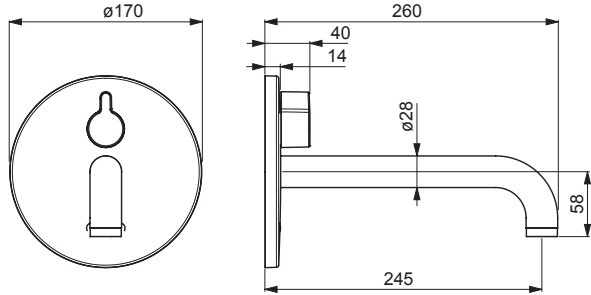
8181 2101, 8081 2101

EN 15091
 100 - 1000 kPa
 0.08 l/s (300 kPa) (with flow controller)
 max. +70°C
 IP 55
 AA 1.5V Lithium x2 (**8181 2101**)
 230V/ 12V (**8081 2101**)



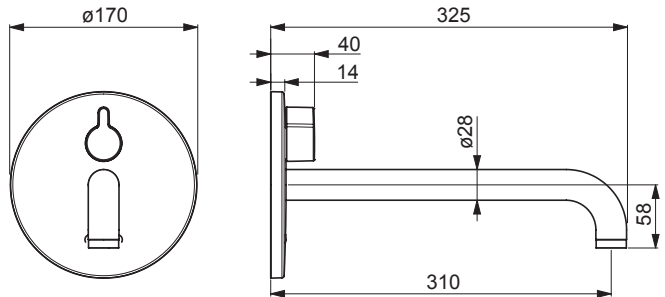
8181 2111, 8081 2111

EN 15091
 100 - 1000 kPa
 0.08 l/s (300 kPa) (with flow controller)
 max. +70°C
 IP 55
 AA 1.5V Lithium x2 (**8181 2111**)
 230V/ 12V (**8081 2111**)

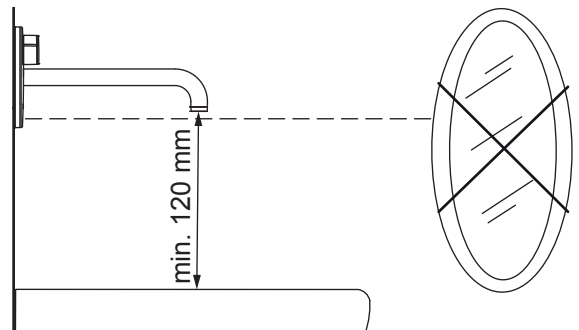


8181 2121, 8081 2121

EN 15091
 100 - 1000 kPa
 0.08 l/s (300 kPa) (with flow controller)
 max. +70°C
 IP 55
 AA 1.5V Lithium x2 (**8181 2121**)
 230V/ 12V (**8081 2121**)



8181 2101
8081 2101
8181 2111
8081 2111
8181 2121
8081 2121



8190 9001, 8090 9001

EN 15091, EN 1111

100 - 1000 kPa

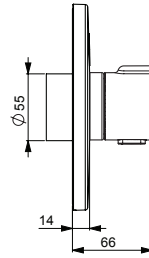
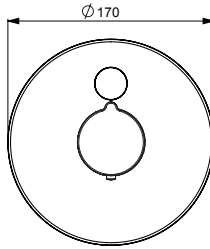
0.23 l/s (300 kPa)

max. +70°C

IP 55

AA 1.5V Lithium x2 (**8190 9001**)

230V/ 12V (**8090 9001**)



8191 9001, 8091 9001

EN 15091, EN 1111

100 - 1000 kPa

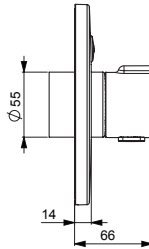
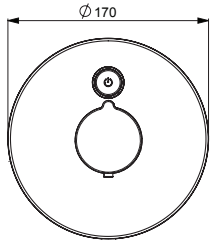
0.23 l/s (300 kPa)

max. +70°C

IP 55

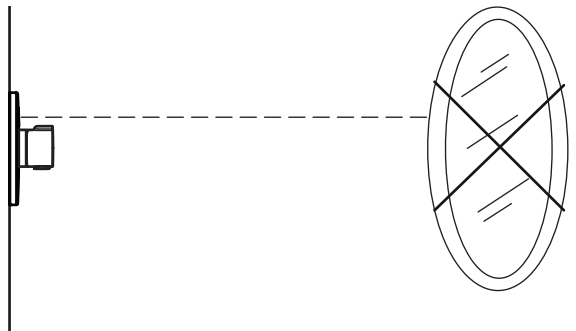
AA 1.5V Lithium x2 (**8191 9001**)

230V/ 12V (**8091 9001**)



8190 9001

8090 9001

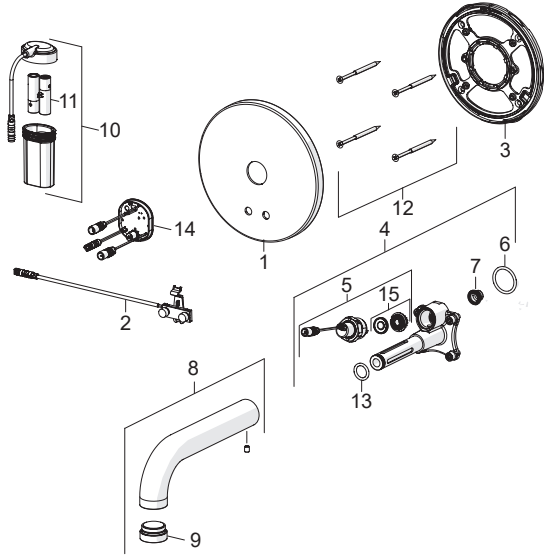


Spare parts

CZ Náhradní díly	FI Varaosat	NL Reserveonderdelen	RU Запасные части
DE Ersatzteile	FR Pièces détachées	NO Reservedeler	SE Reservdelar
DK Reservedele	HU Alkatrészek	PL Części zamienne	SK Náhradné diely
ES Piezas de recambio	IT Pezzi di ricambio	PT Peças de reposição	

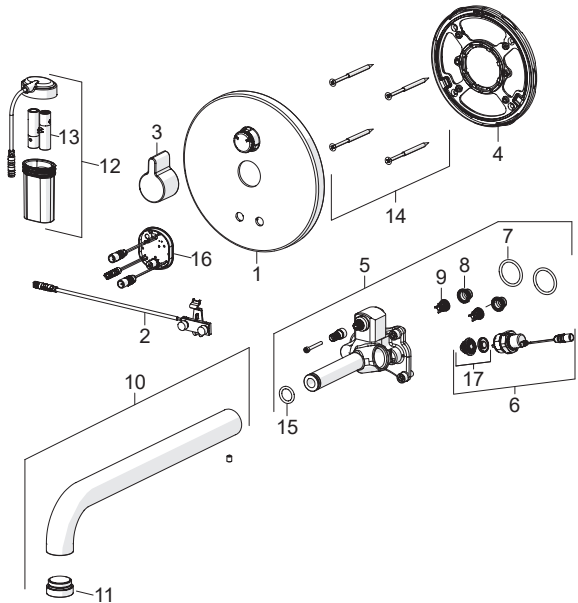
8180 2100, 8180 2110, 8180 2120

- 1 59 914 543
- 2 59 914 647 (8180 2100)
- 2 59 914 544 (8180 2110)
- 2 59 914 648 (8180 2120)
- 3 59 914 545
- 4 59 914 546
- 5 59 914 125
- 6 59 914 304
- 7 59 914 085
- 8 59 914 547 (8180 2100)
- 8 59 914 548 (8180 2110)
- 8 59 914 549 (8180 2120)
- 9 59 914 550
- 10 59 914 122
- 11 59 914 136
- 12 59 912 890
- 13 59 914 551
- 14 59 914 552
- 15 59 914 126



8181 2101, 8181 2111, 8181 2121

- 1 59 914 553
- 2 59 914 647 (8181 2101)
- 2 59 914 544 (8181 2111)
- 2 59 914 648 (8181 2121)
- 3 59 914 322
- 4 59 914 554
- 5 59 914 555
- 6 59 914 125
- 7 59 914 304
- 8 59 914 085
- 9 59 914 030
- 10 59 914 547 (8181 2101)
- 10 59 914 548 (8181 2111)
- 10 59 914 549 (8181 2121)
- 11 59 914 550
- 12 59 914 122
- 13 59 914 136
- 14 59 912 890
- 15 59 914 551
- 16 59 914 552
- 17 59 914 126



Spare parts

CZ Náhradní díly

FI Varaosat

NL Reserveonderdelen

RU Запасные части

DE Ersatzteile

FR Pièces détachées

NO Reservedeler

SE Reservdelar

DK Reservedele

HU Alkatrészek

PL Części zamienne

SK Náhradné diely

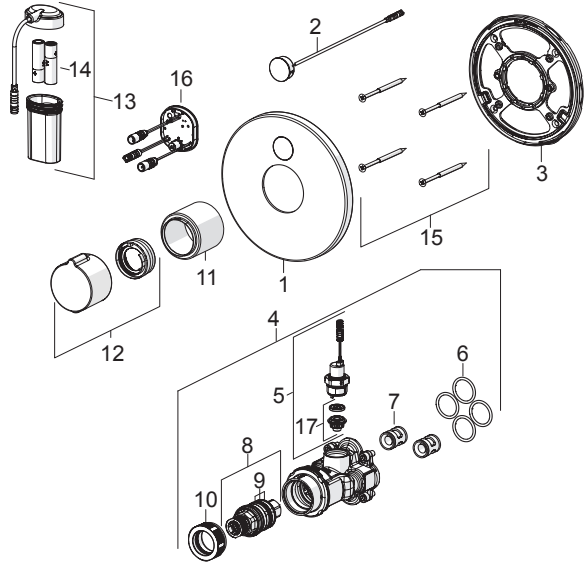
ES Piezas de recambio

IT Pezzi di ricambio

PT Peças de reposição

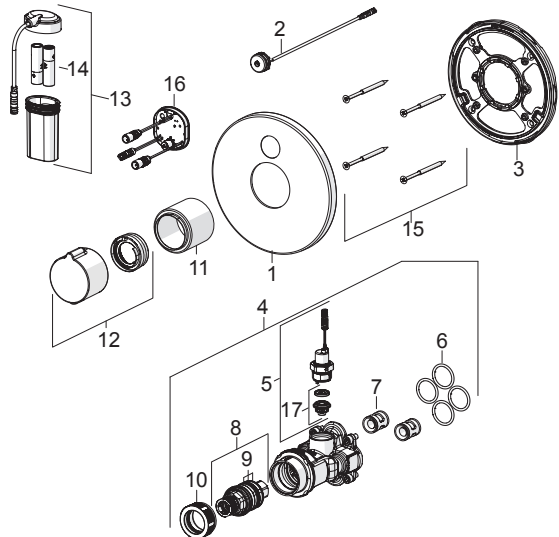
8190 9001

- 1 59 914 556
- 2 59 914 559
- 3 59 914 296
- 4 59 914 558
- 5 59 914 125
- 6 59 914 304
- 7 59 905 714
- 8 59 914 114
- 9 59 914 113
- 10 59 914 319
- 11 59 914 294
- 12 59 914 320
- 13 59 914 122
- 14 59 914 136
- 15 59 912 890
- 16 59 914 552
- 17 59 914 126



8191 9001

- 1 59 914 556
- 2 59 914 557
- 3 59 914 296
- 4 59 914 558
- 5 59 914 125
- 6 59 914 304
- 7 59 905 714
- 8 59 914 114
- 9 59 914 113
- 10 59 914 319
- 11 59 914 294
- 12 59 914 320
- 13 59 914 122
- 14 59 914 136
- 15 59 912 890
- 16 59 914 552
- 17 59 914 126

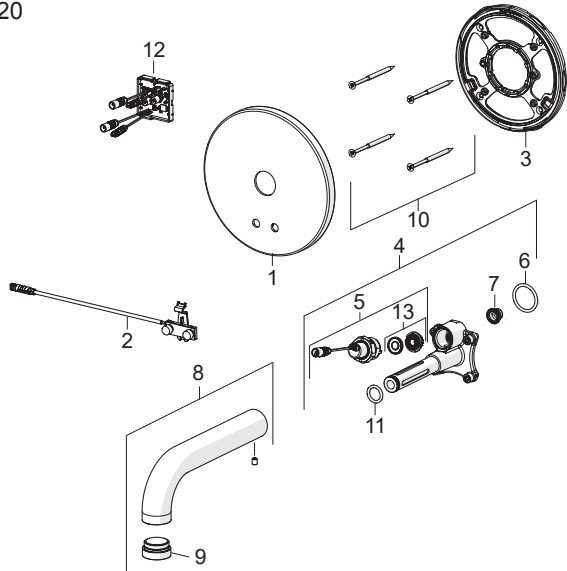


Spare parts

CZ Náhradní díly	FI Varaosat	NL Reserveonderdelen	RU Запасные части
DE Ersatzteile	FR Pièces détachées	NO Reservedeler	SE Reservdelar
DK Reservedele	HU Alkatrészek	PL Części zamienne	SK Náhradné diely
ES Piezas de recambio	IT Pezzi di ricambio	PT Peças de reposição	

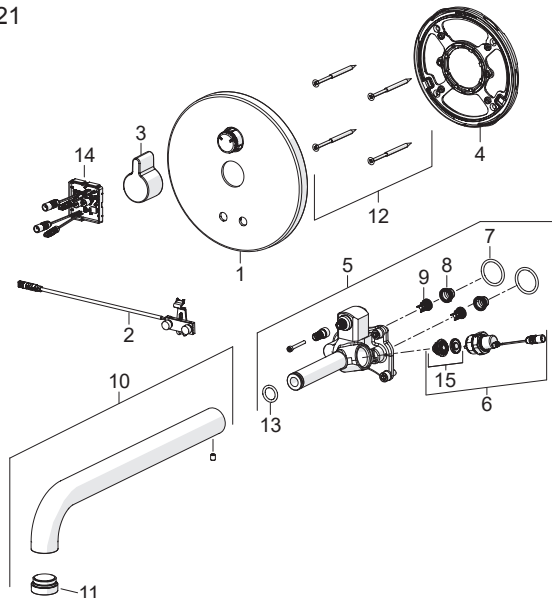
8080 2100, 8080 2110, 8080 2120

- 1 59 914 543
- 2 59 914 647 (8080 2100)
- 2 59 914 544 (8080 2110)
- 2 59 914 648 (8080 2120)
- 3 59 914 545
- 4 59 914 546
- 5 59 914 125
- 6 59 914 304
- 7 59 914 085
- 8 59 914 547 (8080 2100)
- 8 59 914 548 (8080 2110)
- 8 59 914 549 (8080 2120)
- 9 59 914 550
- 10 59 912 890
- 11 59 914 551
- 12 59 914 560
- 13 59 914 126



8081 2101, 8081 2111, 8081 2121

- 1 59 914 553
- 2 59 914 647 (8081 2101)
- 2 59 914 544 (8081 2111)
- 2 59 914 648 (8081 2121)
- 3 59 914 322
- 4 59 914 554
- 5 59 914 555
- 6 59 914 125
- 7 59 914 304
- 8 59 914 085
- 9 59 914 030
- 10 59 914 547 (8081 2101)
- 10 59 914 548 (8081 2111)
- 10 59 914 549 (8081 2121)
- 11 59 914 550
- 12 59 912 890
- 13 59 914 551
- 14 59 914 560
- 15 59 914 126

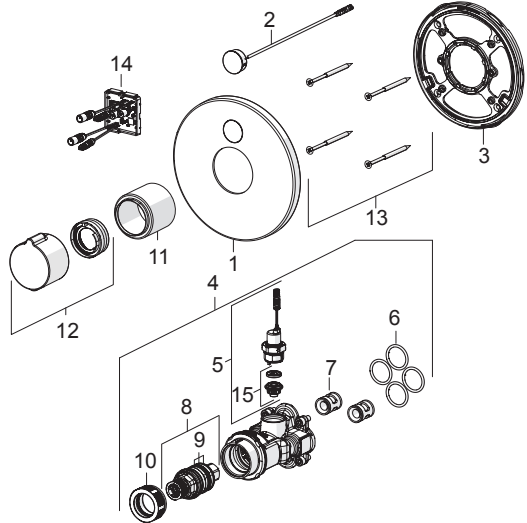


Spare parts

CZ Náhradní díly	FI Varaosat	NL Reserveonderdelen	RU Запасные части
DE Ersatzteile	FR Pièces détachées	NO Reservedeler	SE Reservdelar
DK Reservedele	HU Alkatrészek	PL Części zamienne	SK Náhradné diely
ES Piezas de recambio	IT Pezzi di ricambio	PT Peças de reposição	

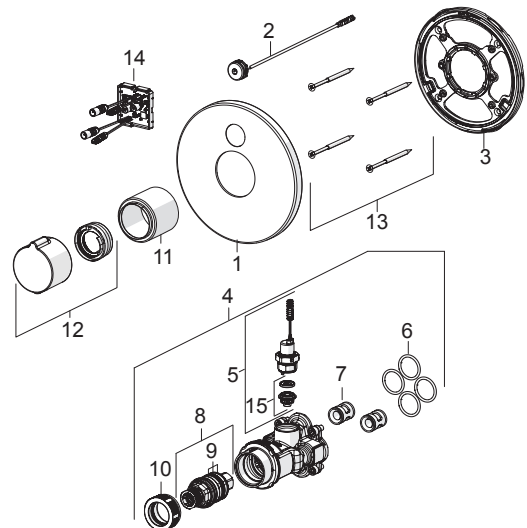
8090 9001

- 1 59 914 556
- 2 59 914 559
- 3 59 914 296
- 4 59 914 558
- 5 59 914 125
- 6 59 914 304
- 7 59 905 714
- 8 59 914 114
- 9 59 914 113
- 10 59 914 319
- 11 59 914 294
- 12 59 914 320
- 13 59 912 890
- 14 59 914 560
- 15 59 914 126



8091 9001

- 1 59 914 556
- 2 59 914 557
- 3 59 914 296
- 4 59 914 558
- 5 59 914 125
- 6 59 914 304
- 7 59 905 714
- 8 59 914 114
- 9 59 914 113
- 10 59 914 319
- 11 59 914 294
- 12 59 914 320
- 13 59 912 890
- 14 59 914 560
- 15 59 914 126



Oras Group is a powerful European provider of sanitary fittings: the market leader in the Nordics and a leading company in Continental Europe. The company's mission is to make the use of water easy and sustainable and its vision is to become the European leader of advanced sanitary fittings. Oras Group has two strong brands, Oras and Hansa.

The head office of the Group is located in Rauma, Finland, and the Group has four manufacturing sites: Burglengenfeld (Germany), Kralovice (Czech Republic), Olesno (Poland) and Rauma (Finland). Oras Group employs approximately 1400 people in twenty countries. Oras Group is owned by Oras Invest, a family company and an industrial owner.

HANSA Armaturen GmbH
P. O. BOX 81 02 40
D-70519 Stuttgart

Sigmaringer Strasse 107
D-70567 Stuttgart
Tel.: +49 711 16 14 0
Fax: +49 711 16 14 368
info@hansa.de

www.hansa.com



a member of  orasgroup